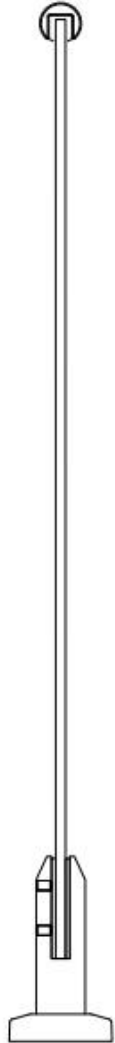


# FRAMELESS GLASS RAILING SYSTEM

## Spigot Railing

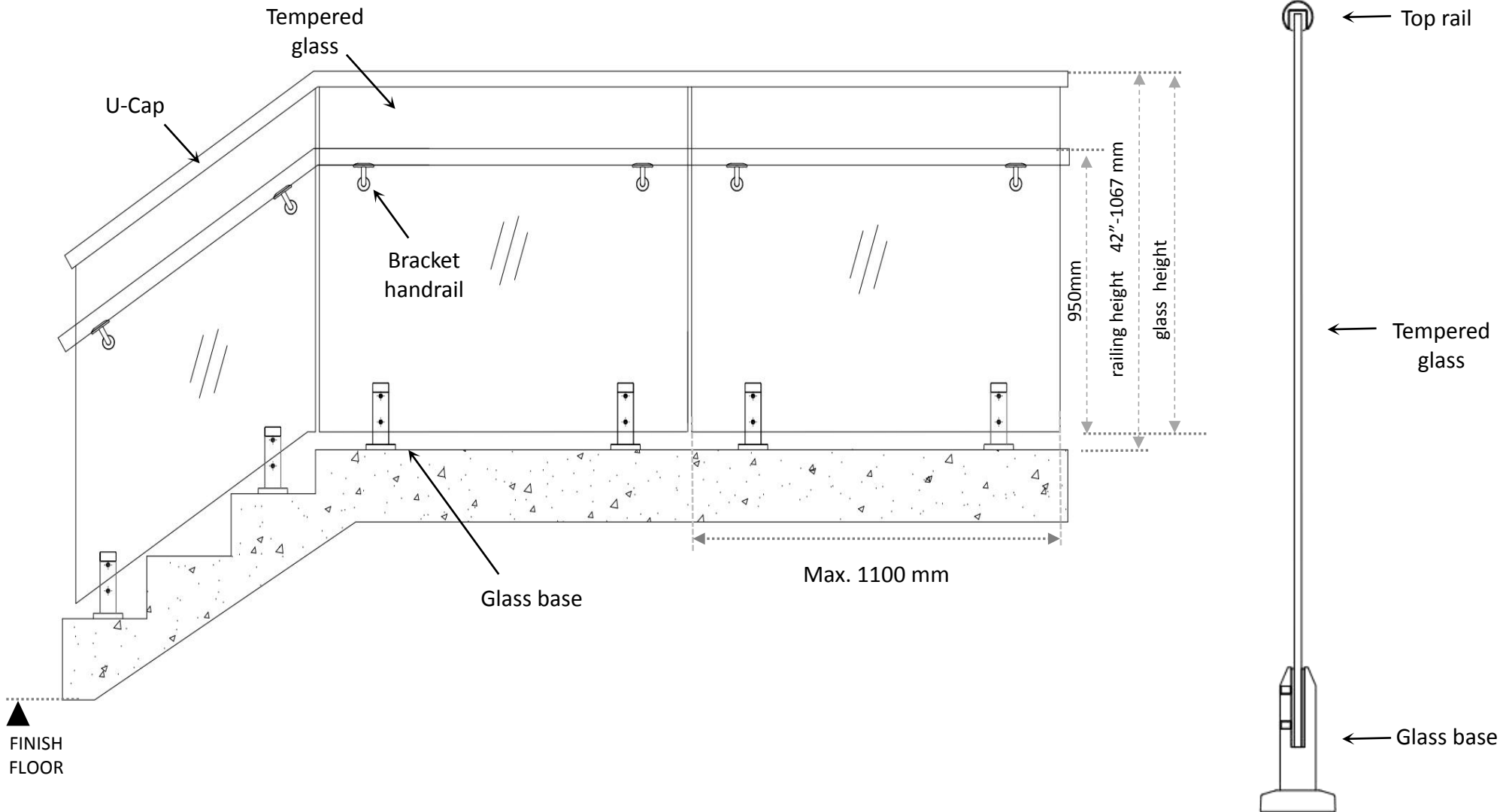
Spigot railing is the perfect safety barrier with metal spigot, glass panel and handrail. Glass infills range from 12-21.52 mm laminated or monolithic tempered glass. It is suitable for commercial and residential interior or exterior, balcony or stair application, especially for the swimming pool.



## Railing specification

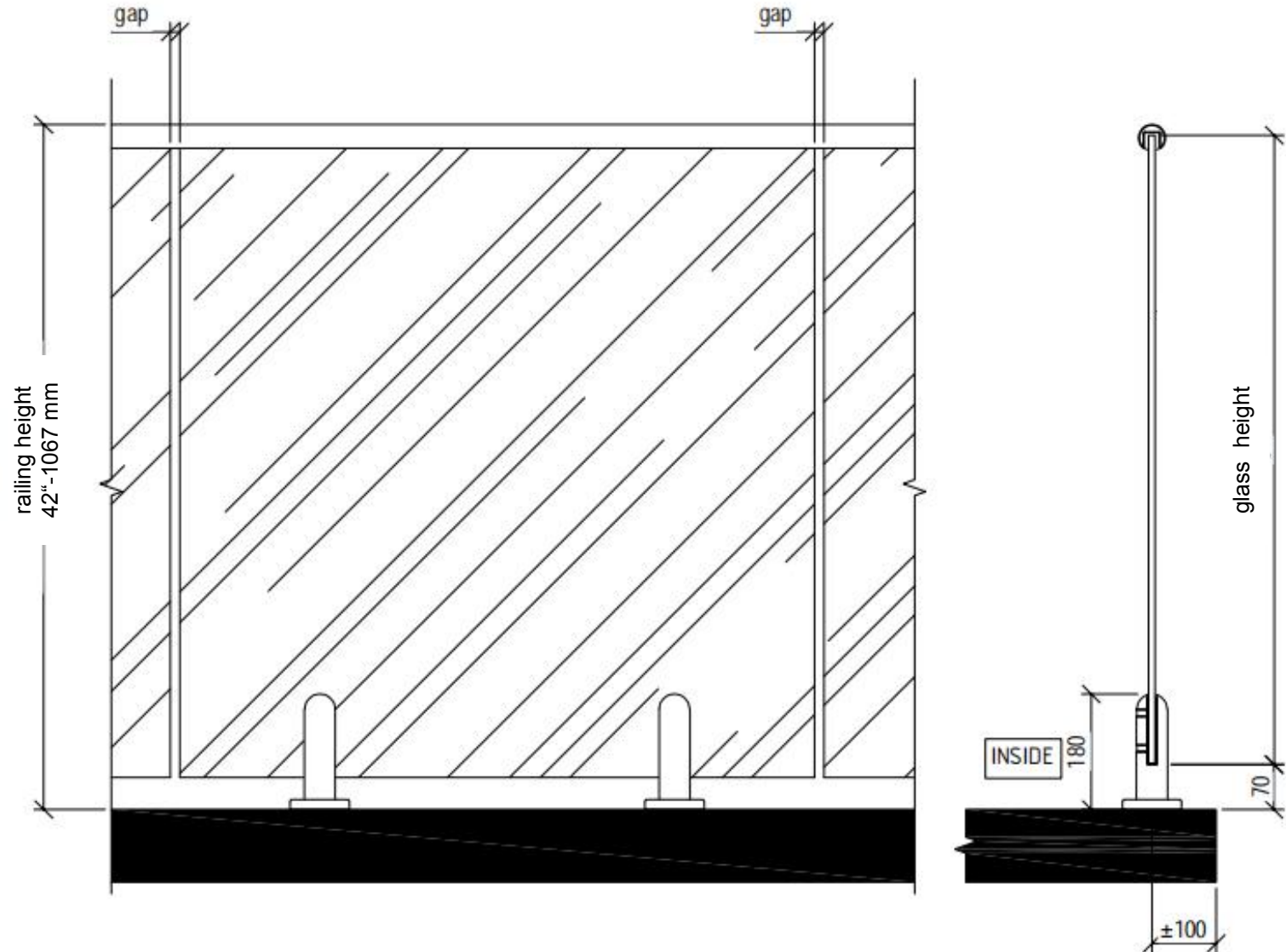
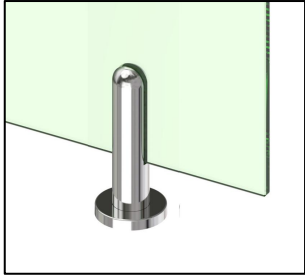
	METARIAL	FINISH	SIZE
<b>GLASS BASE</b>	Stainless Steel - SS 304 - SS 316	- Satin - Mirror - Powder Coated (Outdoor Standard) - Electroplating (PVD)	- YX- FG1119DS: $\varnothing$ 48*180H mm - YX- FG0330: 43*60*160H mm - YX- FG0273: 40*50*190H mm - YX- FG1119L: 50*50*220H mm - YX- FG0260: 15*65 mm
<b>INFILL</b>	Glass	- Clear - Tinted - Frosted	Glass Thickness 10-21.52 mm
<b>TOP RAIL / HANDRAIL</b>	Stainless Steel - SS 304 - SS 316	- Satin - Mirror - Powder Coated (Outdoor Standard) - Electroplating (PVD)	- U-cap - Round Tube: $\varnothing$ 42.4 / $\varnothing$ 50.8mm - Square Tube: 25*50 / 40*40 / 50*50 mm - Round Slot: $\varnothing$ 42.4 mm - Square Slot: 40*40 / 25*21 mm
	Wooden - Beech - Sapele - Teak	- Raw - Walnutcolor - Rosewood Color Or Customized	- Round: $\varnothing$ 42.4 / $\varnothing$ 50.8 mm - Square Slot Handrail: 40*40 mm - Omiga Shape: 40*80 mm Or Customized

## Railing structure



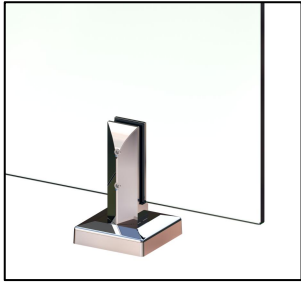
## YX-FG1119DS

- Glass base:  $\varnothing$  48\*180H mm
- Max. glass width: 1100 mm
- Glass thickness: 10-13.14 mm

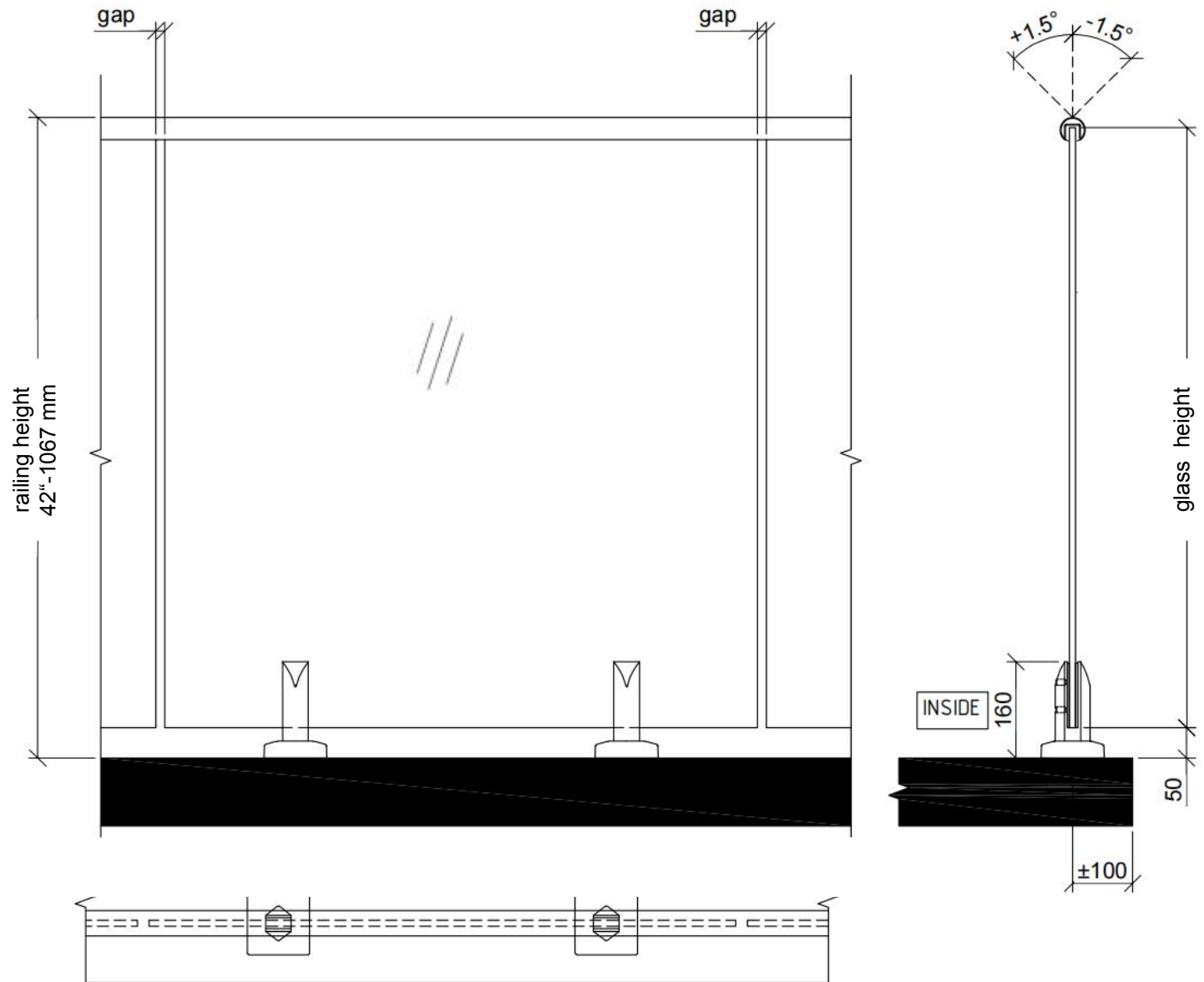


## YX-FG0330

- Glass base : 43\*60\*160H mm
- Max. glass width: 1100 mm
- Glass thickness: 10-13.52 mm

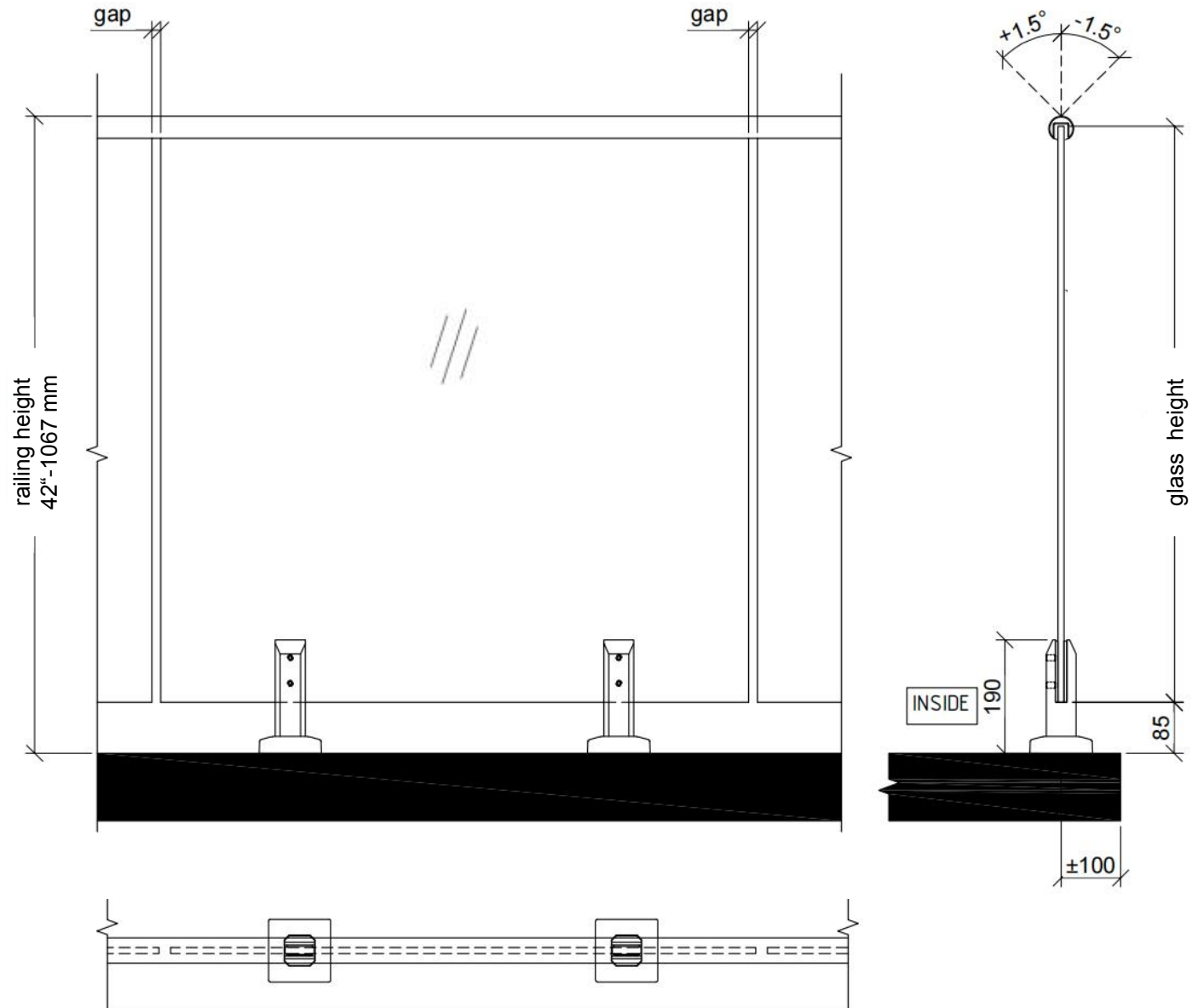


- Balcony and stairs is available.



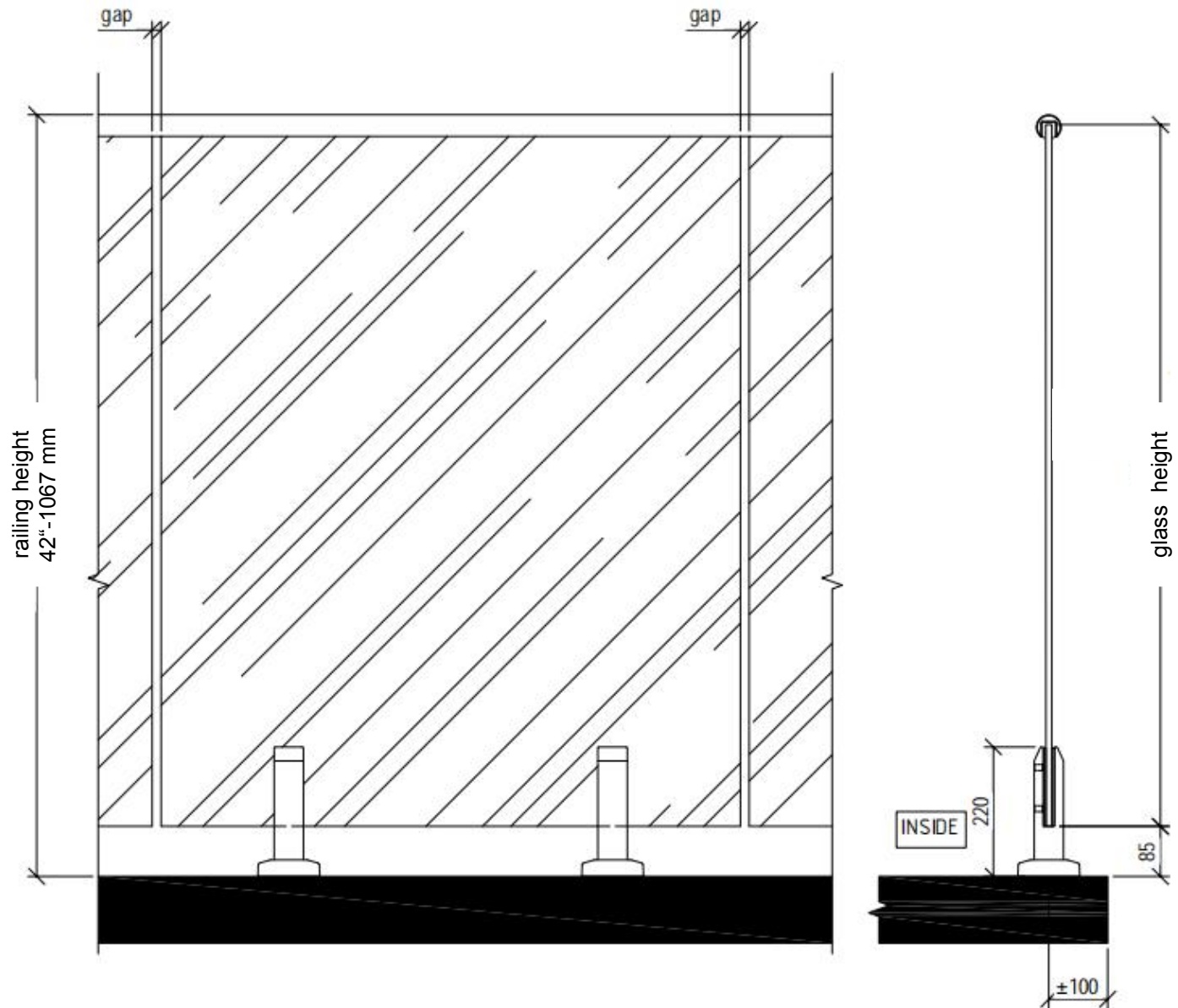
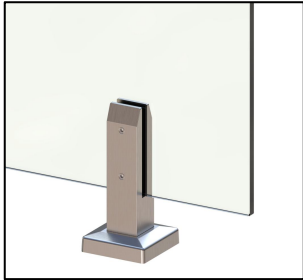
## YX-FG0273

- Glass base : 40\*50\*190H mm
- Max. glass width: 1100 mm
- Glass thickness: 10-13.52 mm



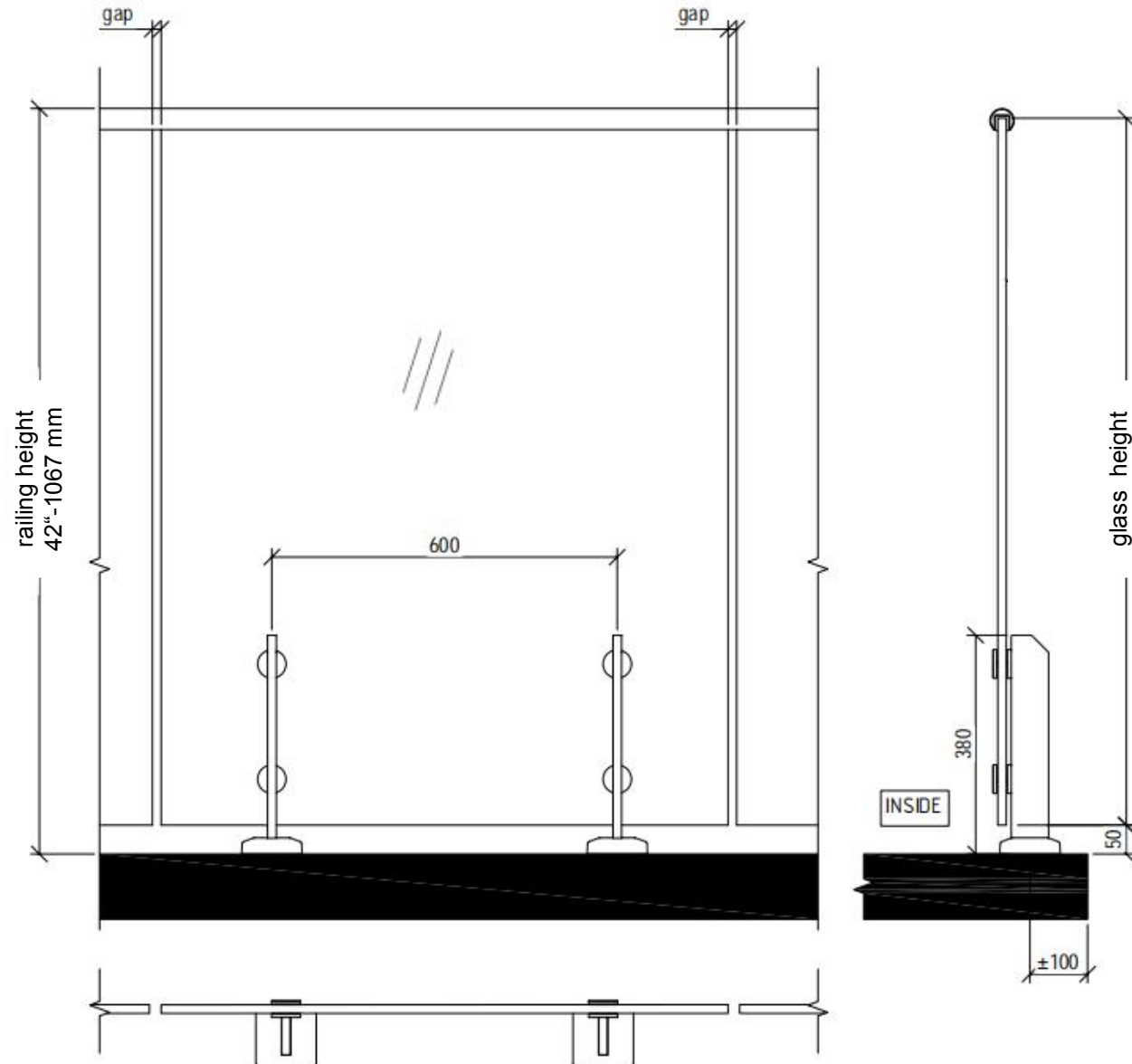
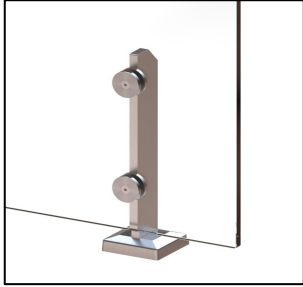
## YX-FG1119L

- Glass base: 50\*50\*220 H mm
- Max. glass width: 1100 mm
- Glass thickness: 10-17.52 mm



## YX-FG0260

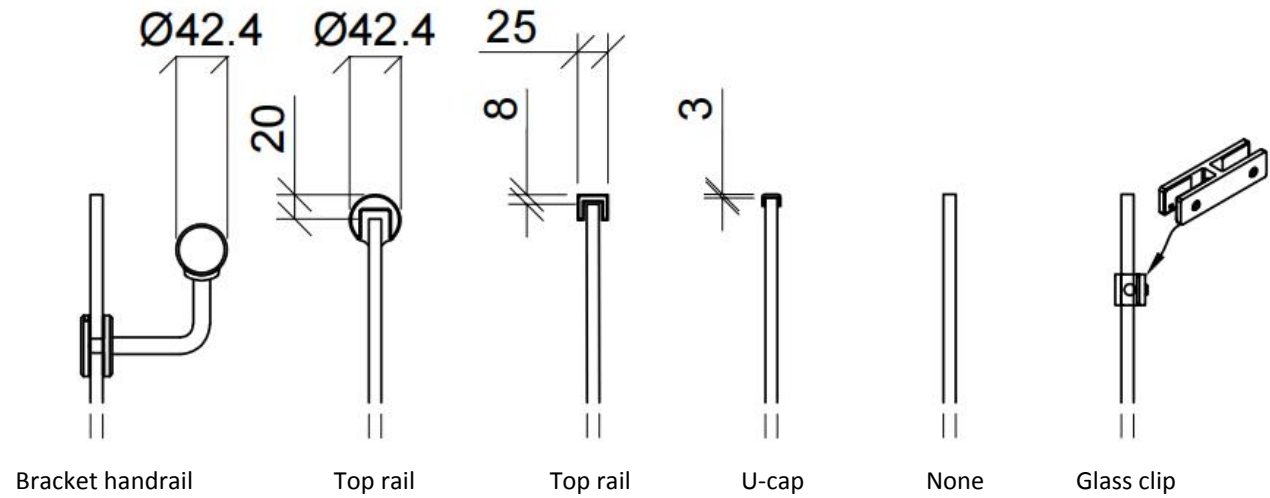
- Glass base : 15\*65 mm
- Max. glass width: 1100 mm
- Glass thickness: 12-17.52 mm



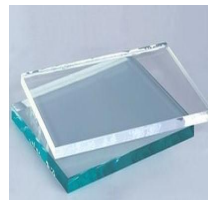




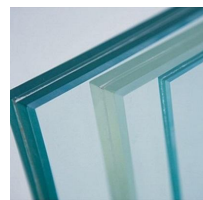
Handrail options:



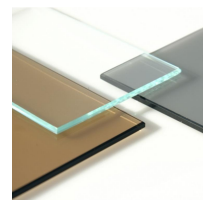
Available glass infill:



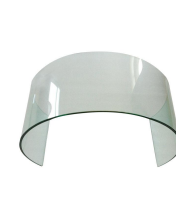
Clear monolithic



Clear laminated



Tinted

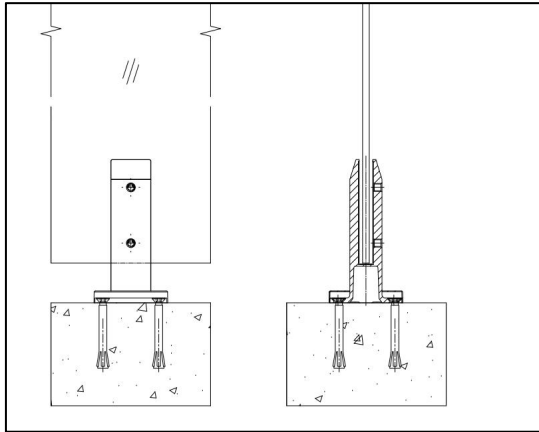


Bent

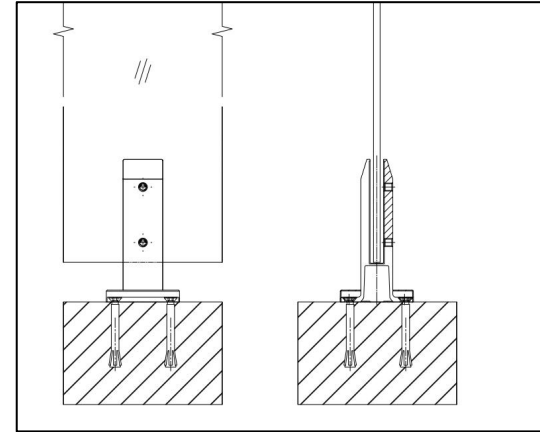


Frosted

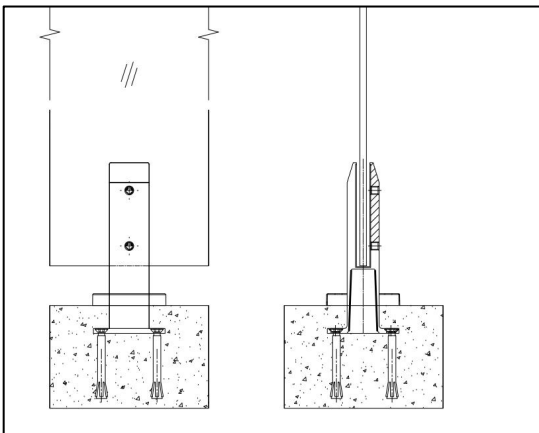
## Railing installation



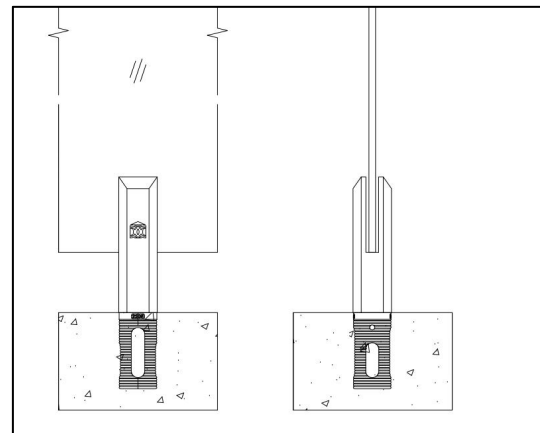
Anchored to concrete



Anchored to wood



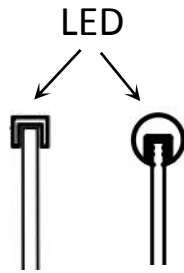
Cored into concrete



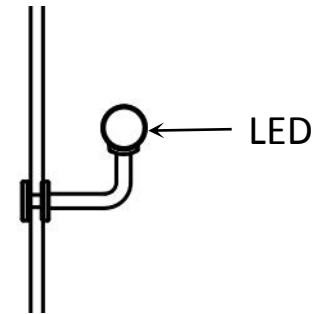
Cored into concrete

## Illuminated railing options

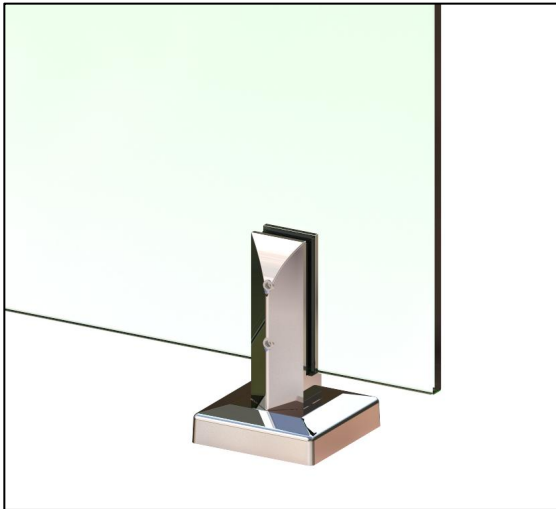
Opition 1  
Illuminated top rail



Opition 2  
Illuminated bracket handrail



## Finish options

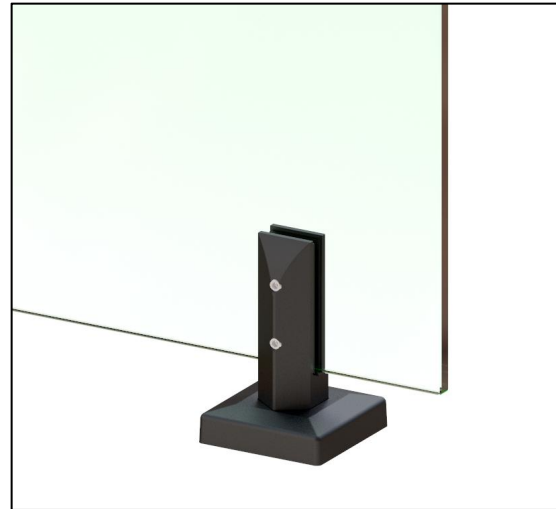


- **Stain**

Stain finish, also known as brushed finish, refers to a stainless steel surface that has been treated with a brushing process, creating a texture and sheen that resembles the natural grain of the metal.

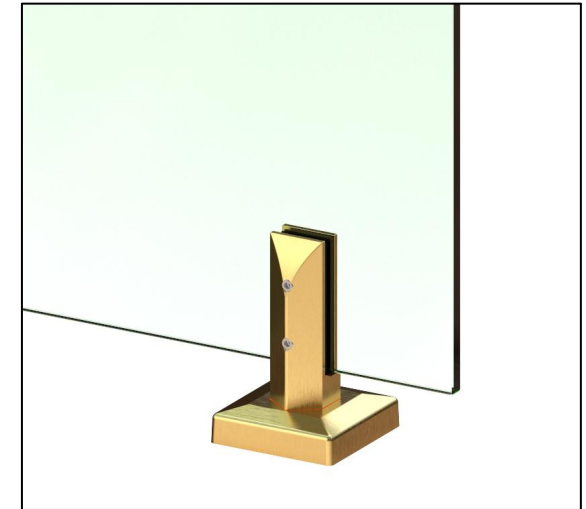
- **Mirror**

For mirror finish, Literally, the surface of stainless steel presents a bright state, like a mirror.



- **Powder coated**

A hard, wear-resistant, and corrosion-resistant coating is formed on the surface of the railing, making the railing have good decorative and protective properties.



- **Electroplating (PVD)**

Electroplating finish uses electrochemical processes to form a thin metal coating on the surface of stainless steel, improving its surface properties such as corrosion resistance, wear resistance, and aesthetics.







